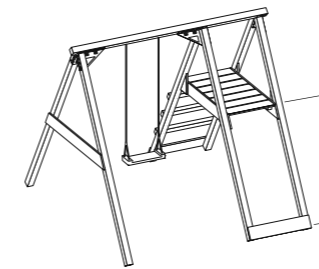
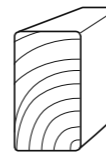
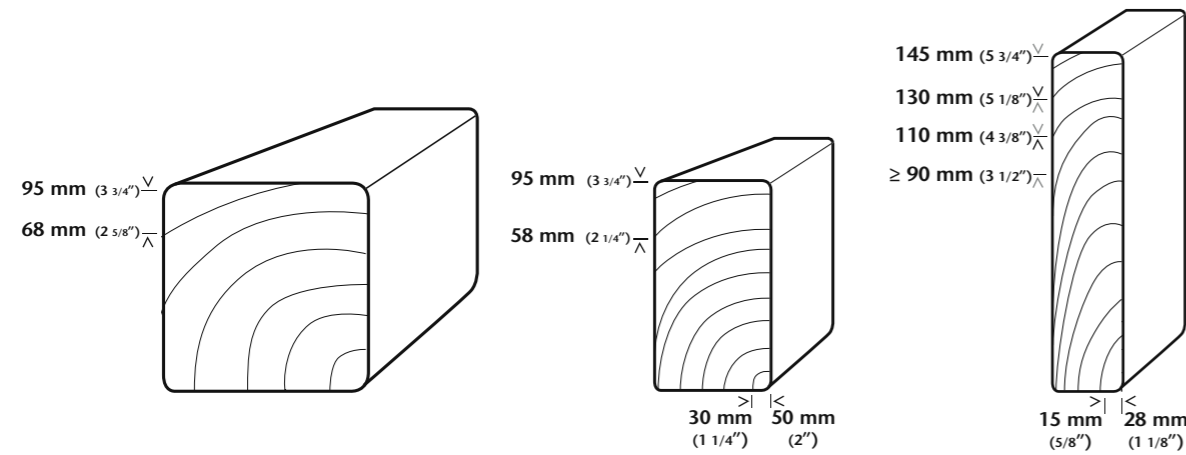


7 x | **A** = 240 cm (94 1/2")

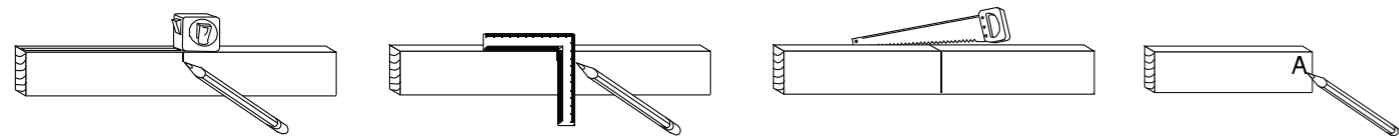
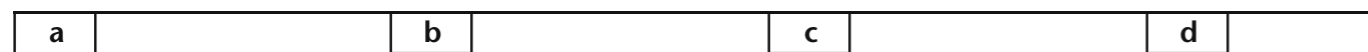
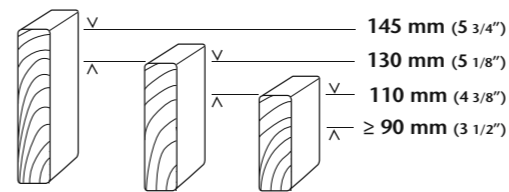


7 x | **A'** = 270 cm (106 1/4")



2 x | **B** = 115 cm (45 1/4")

3 x | **C** = 75 cm (29 1/2")



3 x | 3 x | 3 x | **D** = 140 cm (55 1/8") **H**

2 x | 2 x | 2 x | **E** = 75 cm (29 1/2")

9 x | 10 x | 12 x | **F** ≤ 58 cm (22 7/8")

