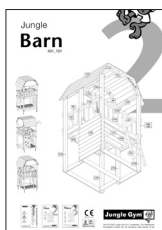
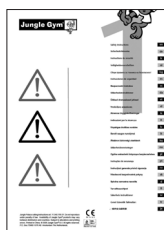
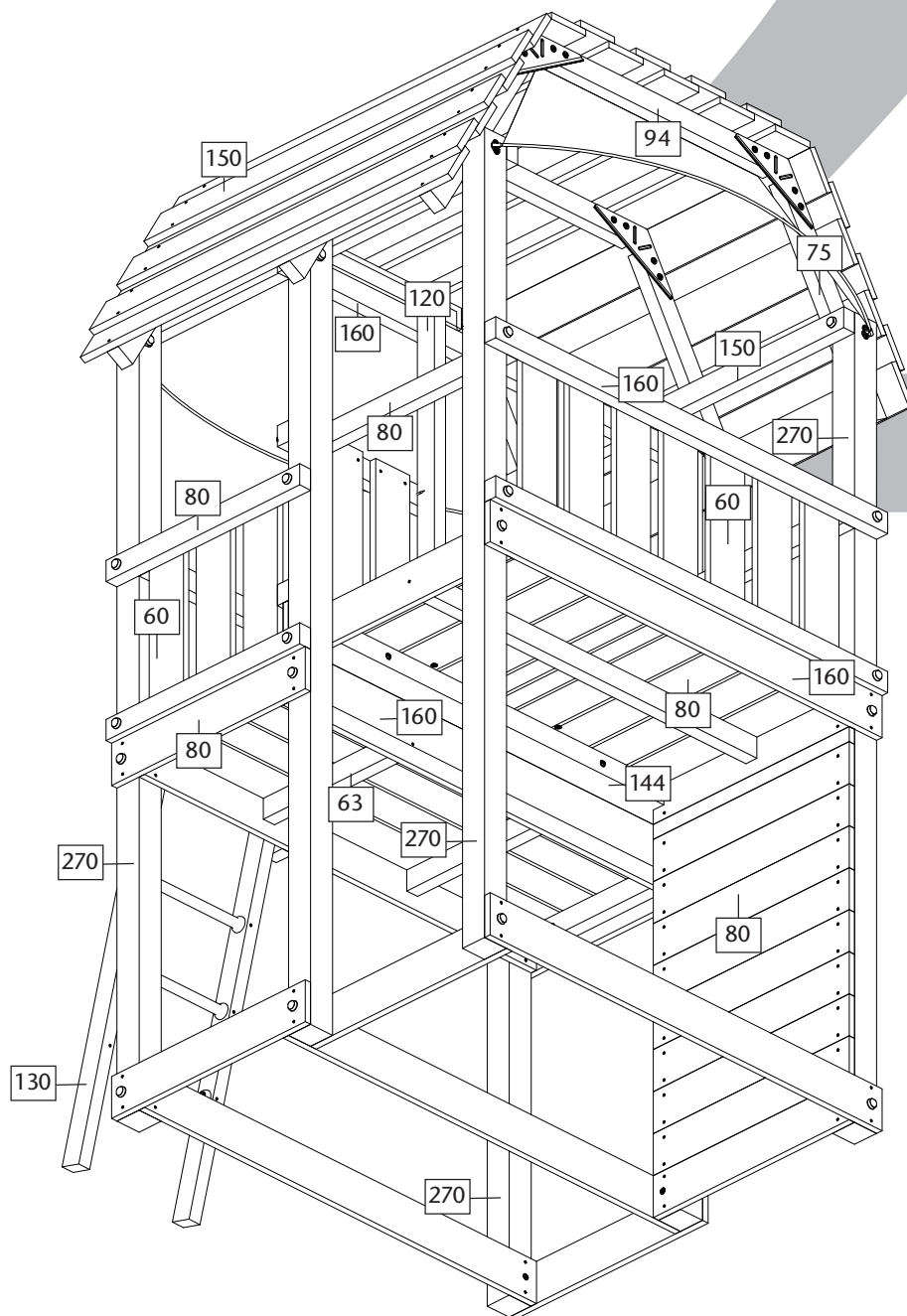
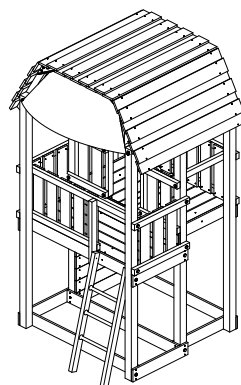
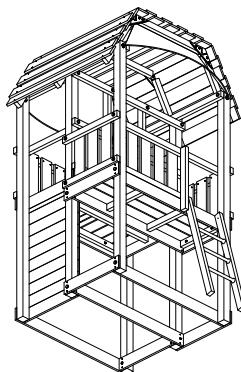
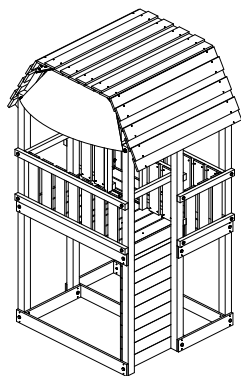


Jungle Barn

401_007



CE
EN 71-1 & 8



Jungle Gym



TM & © 2009 Jungle Gym B.V., Amsterdam, The Netherlands.
Copyrighted material. Do not reproduce under penalty of law.

