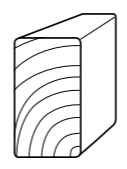
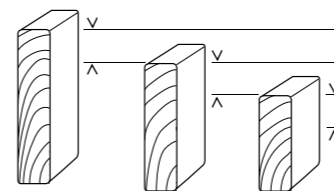
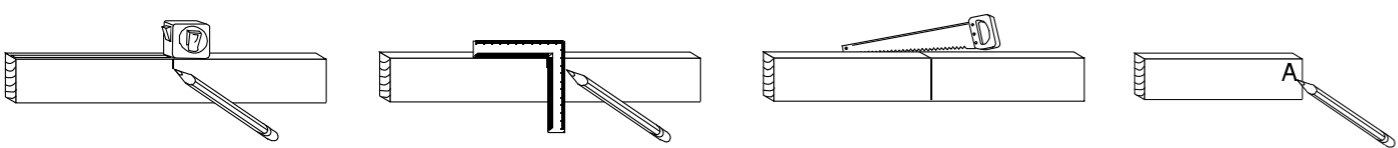
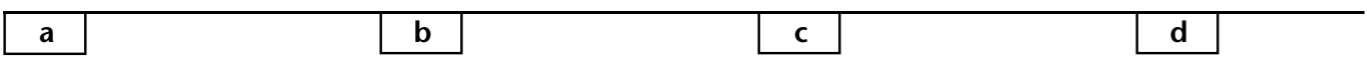
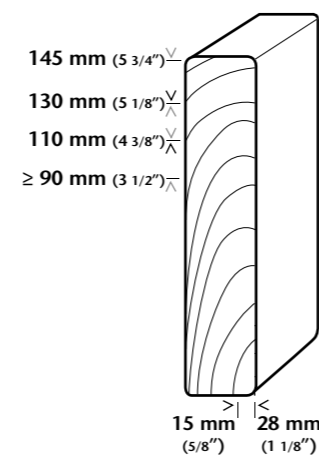
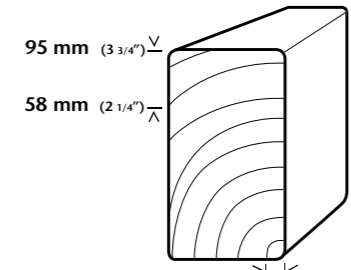
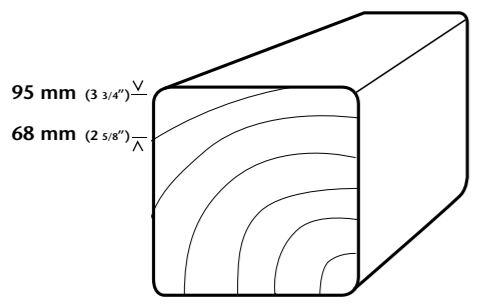


- 4 x A = 240 cm (94 1/2")
- 2 x B ≤ 120 cm (47 1/4")



- 1 x C = 170 cm (67")
- 1 x D = 165 cm (65")
- 8 x E = 150 cm (59")
- 1 x F ≤ 134 cm (52 3/4")
- 2 x G = 122 cm (48")
- 2 x H ≤ 74 cm (29 1/8")



- 145 mm (5 3/4")
- 130 mm (5 1/8")
- 110 mm (4 3/8")
- ≥ 90 mm (3 1/2")

- 1 x I = 170 cm (67")
- 1 x J = 165 cm (59")
- 4 x K = 150 cm (59")
- 12 x L ≤ 130 cm (51 1/8")
- 20 x M = 60 cm (23 5/8")
- 12 x N ≤ 45 cm (17 3/4")